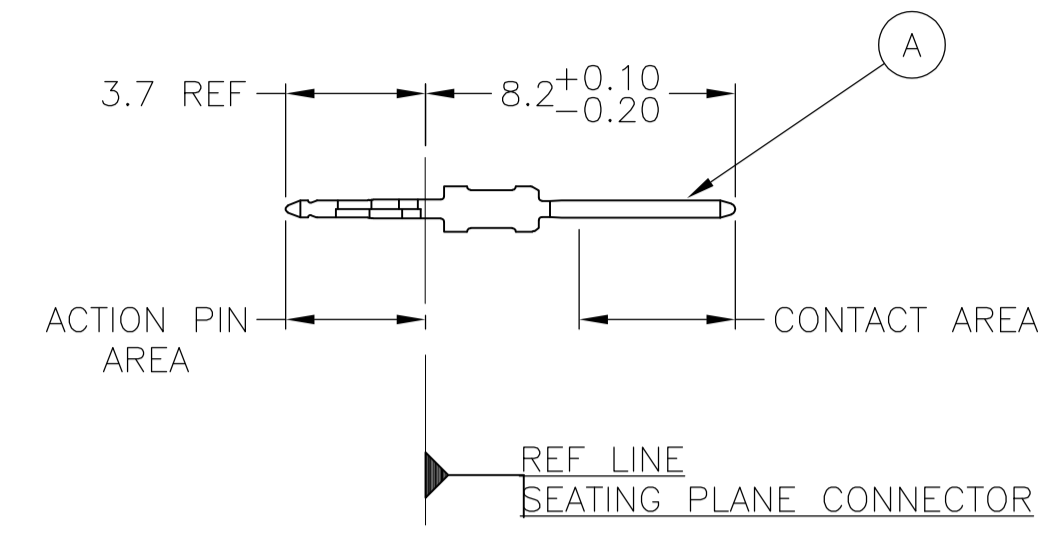
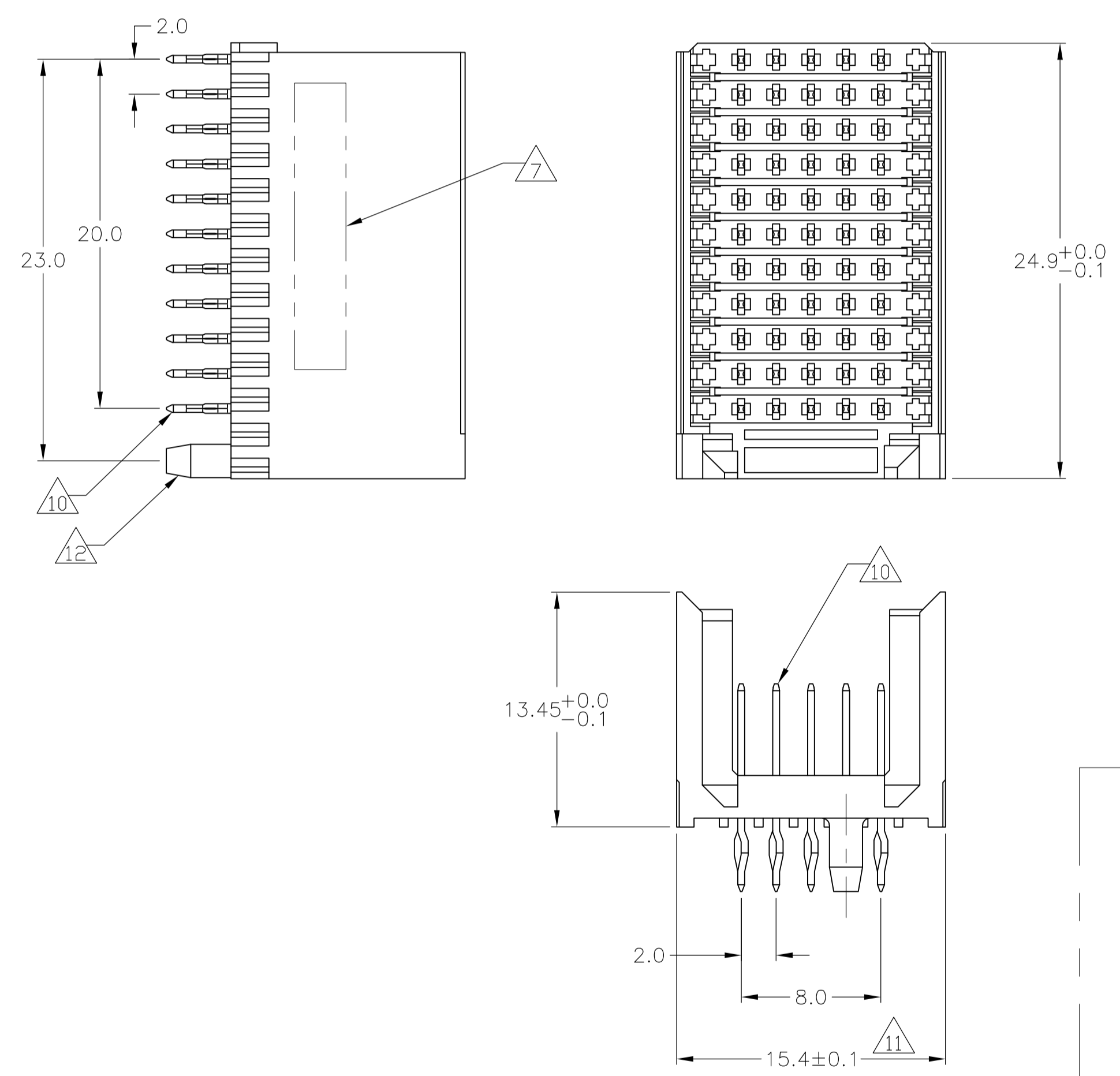


### CONTACT DIMENSIONS

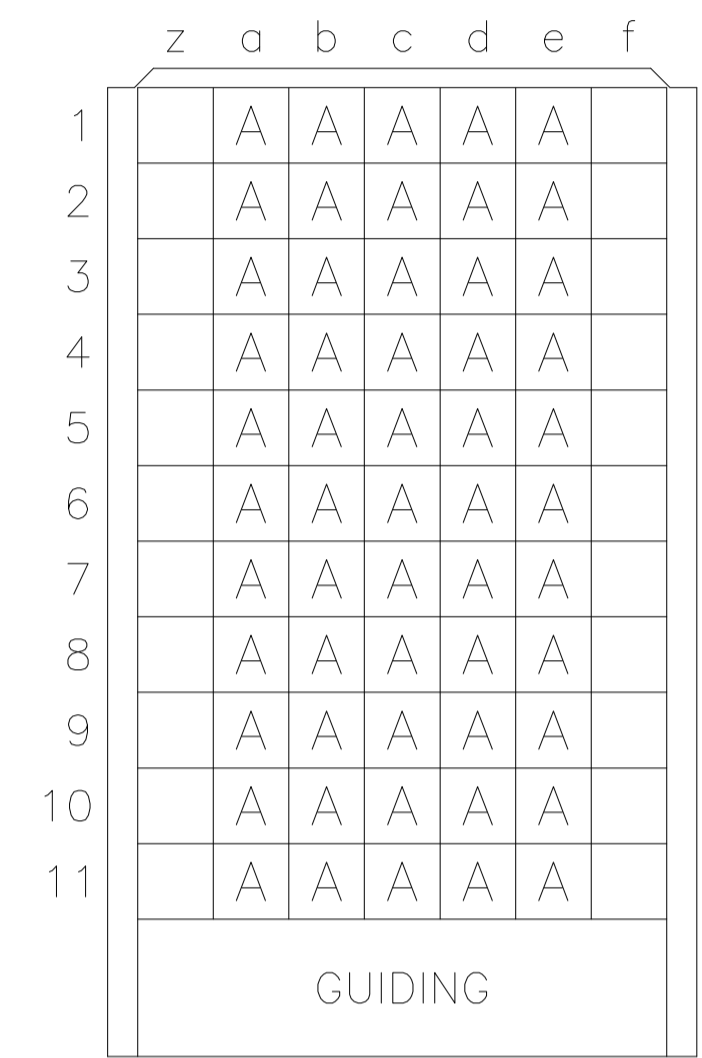
SCALE 5:1



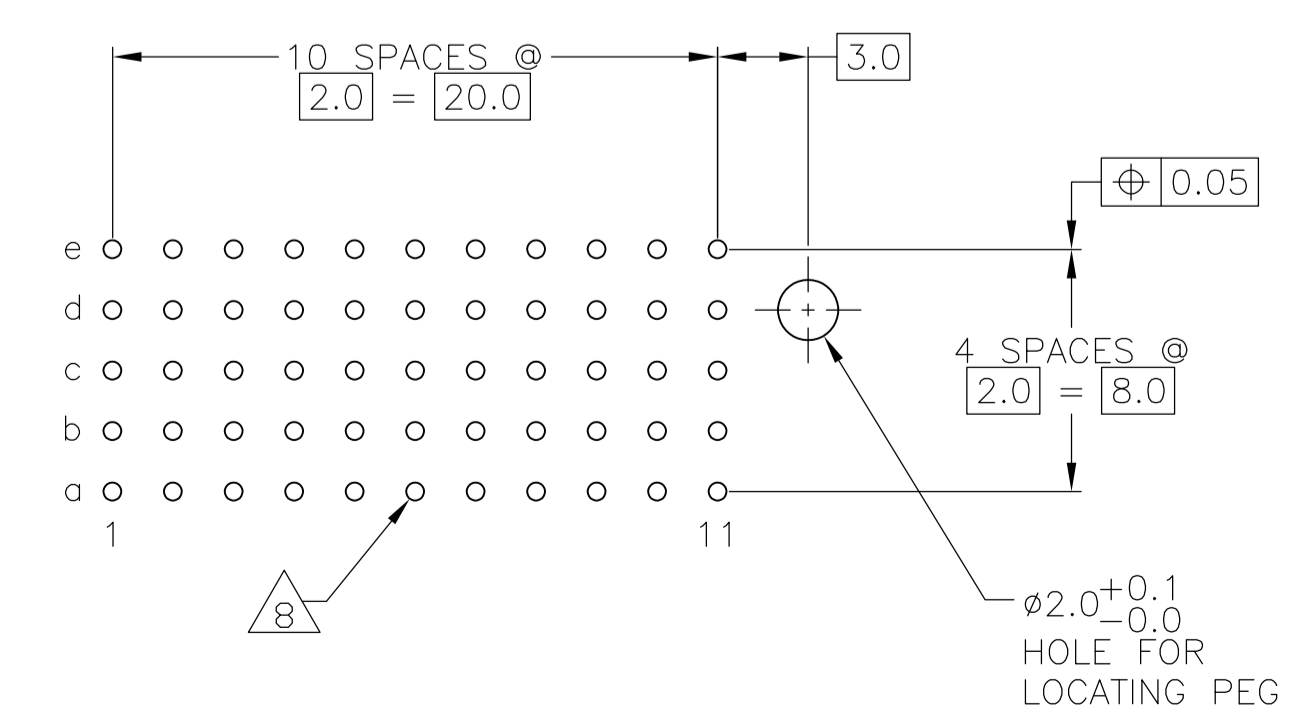
### CONNECTOR ASSEMBLY EXAMPLARY LOADED



### CONTACT LAYOUT



### RECOMMENDED PCB-HOLE LAYOUT COMPONENT SIDE SHOWN



### PLATED THRU HOLES PARAMETERS

REFERENCE APPLICATION SPECIFICATION

	2	3	14	3-5100159-0
	2	6		1-5100159-9
OBSOLETE	2	5	13	5100159-9
OBSOLETE	2	4		5100159-4
	2	3		5100159-1
	FINISH			PART NUMBER


THIS DRAWING IS A CONTROLLED DOCUMENT.

DIMENSIONS: mm	TOLERANCES UNLESS OTHERWISE SPECIFIED:	DIN B CARBO 24JAN05	24JAN05	24JAN05
	0-PLG ±	GSKIPPER	GSKIPPER	GSKIPPER
	1-PLG ± 0.2 ± 0.2	APVD GSKIPPER	24JAN05	NAME
	2-PLG ± 0.02	PRODUCT SPEC		MALE ASSEMBLY, Z-PACK 2mm HM, TYPE C
	3-PLG ± 0.005	APPLICATION SPEC		108-19082
	4-PLG ± 0.005	114-19029	SIZE	CAGE CODE
	ANGLES ± 0.30°	WEIGHT	A1	00779
MATERIAL	SEE TABLE	CUSTOMER DRAWING	SCALE	4:1
			SHEET	1 OF 2
			REV	F1

STE TE Connectivity

LOC		DIST		REVISIONS			
P	LTR	DESCRIPTION	DATE	DN	APVD		
-	-	SEE SHEET 1	-	-	-	-	-

- 1 MATERIAL:  
CONTACT: PHOSPHOR BRONZE.  
HOUSING: GLASS-FILLED POLYESTER.
- 2 GENERAL PLATING SPECIFICATION: UNDERPLATING  
(ENTIRE CONTACT): 1.27µm MIN NICKEL AND ACTION  
PIN: 0.5µm MIN TIN.  
FOR PLATING OF MATING SURFACES SEE APPLICABLE  
SPECIFICATION REFERENCE FOR EACH DASH NUMBER.
- 3 CONFORMS TO ALL TESTING ACCORDING TO IEC 61076-4-101  
PERFORMANCE LEVEL 2.
- 4 CONFORMS TO ALL TESTING ACCORDING TO IEC 61076-4-101  
PERFORMANCE LEVEL 1.
- 5 CONNECTOR TESTED AND QUALIFIED AGAINST TELCORDIA GR-1217-CORE QUALITY LEVEL 3,  
CENTRAL OFFICE APPLICATIONS.
- 6 CONNECTOR TESTED AND QUALIFIED AGAINST TELCORDIA GR-1217-CORE QUALITY LEVEL 3,  
UNCONTROLLED ENVIROMENT APPLICATIONS.
- 7 CONNECTOR MARKED WITH PART NUMBER AND DATE CODE.  
ADDITIONAL CHARACTERS OR MARKINGS, AS WELL AS THE LOCATION OF THE MARKINGS,  
MAY BE ADDED FOR TRACEABILITY BASED UPON MANUFACTURERS DISCRETION.
- 8 PLATED-THROUGH HOLES AT 2x2mm SQUARE GRID  
PATTERN DEFINED BY CONTACT LAYOUT.
- 9 FOR ACTUAL PIN LOADING SEE "CONTACT LAYOUT".
- 10 FOR ACTUAL PIN DIMENSIONS SEE "CONTACT DIMENSIONS".
- 11 TO BE MEASURED AT BOTTOM OF SHROUD.
- 12 LOCATION PEG.
- 13 CONNECTOR LUBRICATED WITH BELCORE APPROVED LUBRICANT,  
TECHNICAL REFERENCE: TR-NWT-001217 ISSUE 1, SEP 1992.
- 14 0.76µm MIN. GOLD PLATING AT MATING SURFACES.

THIS DRAWING IS A CONTROLLED DOCUMENT.		DIN B CARBO 24JAN05		 TE Connectivity	
DIMENSIONS: mm		GSKIPPER 24JAN05			
TOLERANCES UNLESS OTHERWISE SPECIFIED:		APVD GSKIPPER 24JAN05		NAME	
0-PLC ± 1-PLC ±0.2 2-PLC ±0.02 3-PLC ±0.005 4-PLC ± ANGLES ±0.30°		PRODUCT SPEC		MALE ASSEMBLY, Z-PACK 2mm HM, TYPE C	
MATERIAL SEE SHEET 1		FINISH SEE SHEET 1		APPLICATION SPEC	
WEIGHT		114-19029		RESTRICTED TO	
CUSTOMER DRAWING		A1 00779 C=5100159		SCALE 4:1 SHEET 2 OF 2 REV F1	